

COMPACT VALVE - 1/4

Series DS2

Cat No DS2 - 01 - 10 - B

MANUALLY OPERATED VALVE - G1/4

Features

- Compact size
- Suitable for panel mounting
- Mounting provision for individual unit

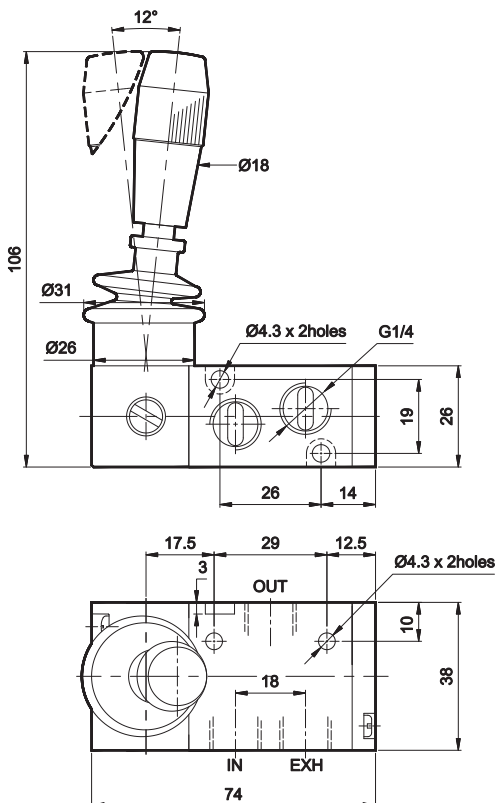


Technical Specifications

Model	DS2	
Type	3/2	5/2 & 5/3
Design	Spool type	
Port size	Inlet, Outlet, Exhaust - G1/4	Inlet, Outlet - G1/4, Exhaust - G1/8
Flow @	1200 lts/min	Inlet to Outlet - 1200 lts/min; Outlet to Exhaust - 700 lts/min
Medium	Compressed air - Dry, filtered, lubricated	
Maximum working pressure	10 bar	
Recommended oil for lubrication	ISO VG32 (Servo system 32)	
Ambient temperature	-10° to +60° C	
Medium temperature	+5° to +50° C	
Materials of construction	Aluminium, Nitrile, Brass, Acetal	

@ Inlet pressure 6 bar, and pressure drop 1 bar

3 / 2 Hand lever operated valve with spring return



1 - Inlet, 2 - Outlet, 3 - Exhaust

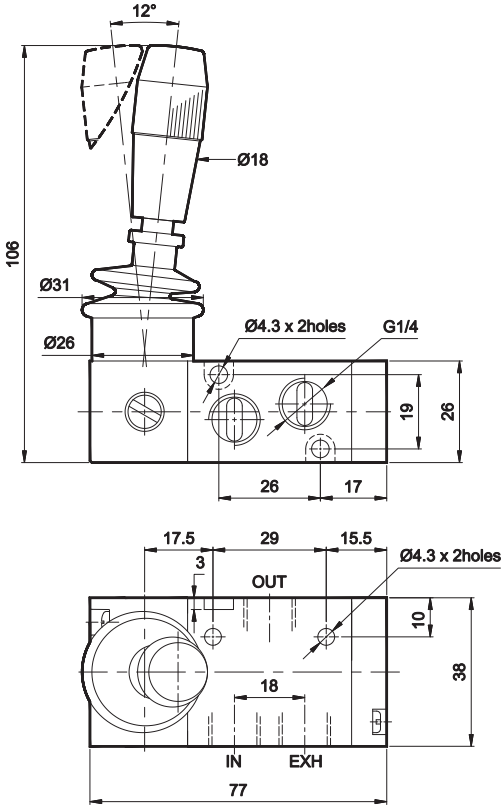
Ordering No	DS235HR61	DS245HR61
Type	Normally open	Normally closed
Symbol		

COMPACT VALVE - 1/4

Series DS2

Cat No DS2 - 01 - 10 - B

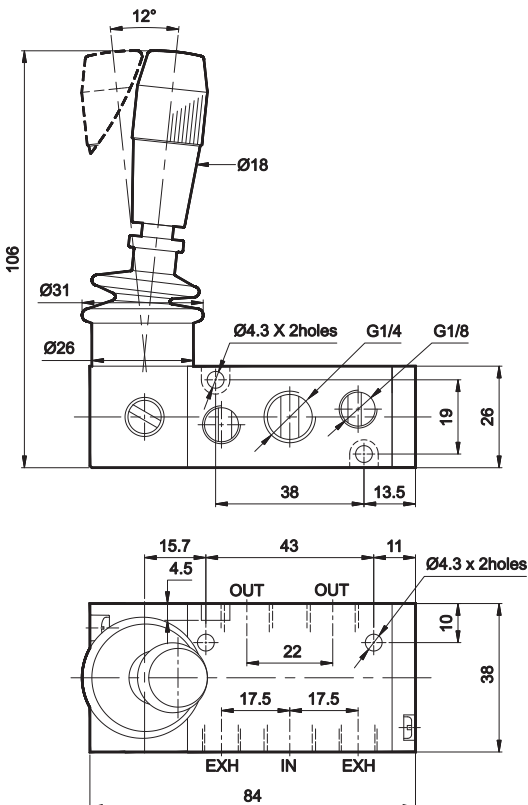
3 / 2 Hand lever operated valve with detent



1 - Inlet, 2 - Outlet, 3 - Exhaust

Ordering No	DS235HD61	DS245HD61
Type	Normally open	Normally closed
Symbol		

5 / 2 Hand lever operated valve with spring return



1 - Inlet, 2,4 - Outlet, 3,5 - Exhaust

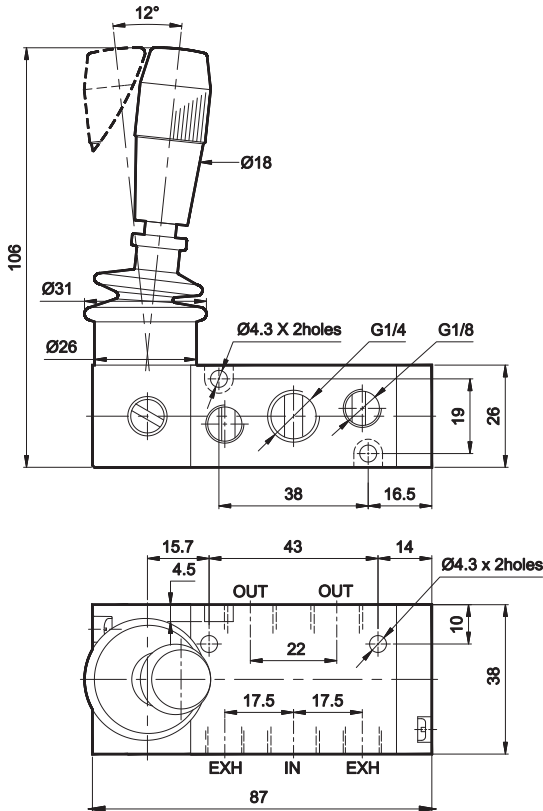
Ordering No	DS255HR61
Symbol	

COMPACT VALVE - 1/4

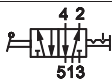
Series DS2

Cat No DS2 - 01 - 10 - B

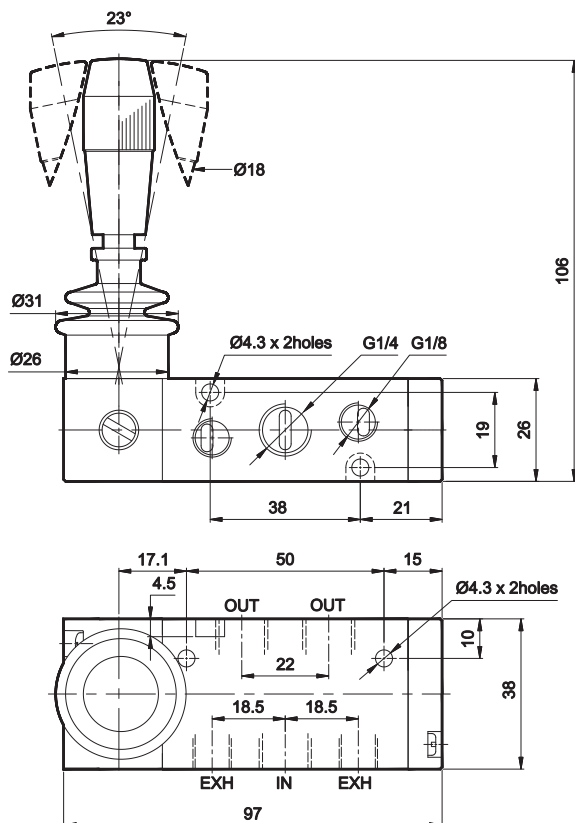
5 / 2 Hand lever operated valve with detent



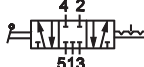


1 - Inlet, 2,4 - Outlet, 3,5 - Exhaust

Ordering No	DS255HD61
Symbol	

5 / 3 Hand lever operated valve with detent



1 - Inlet, 2,4 - Outlet, 3,5 - Exhaust

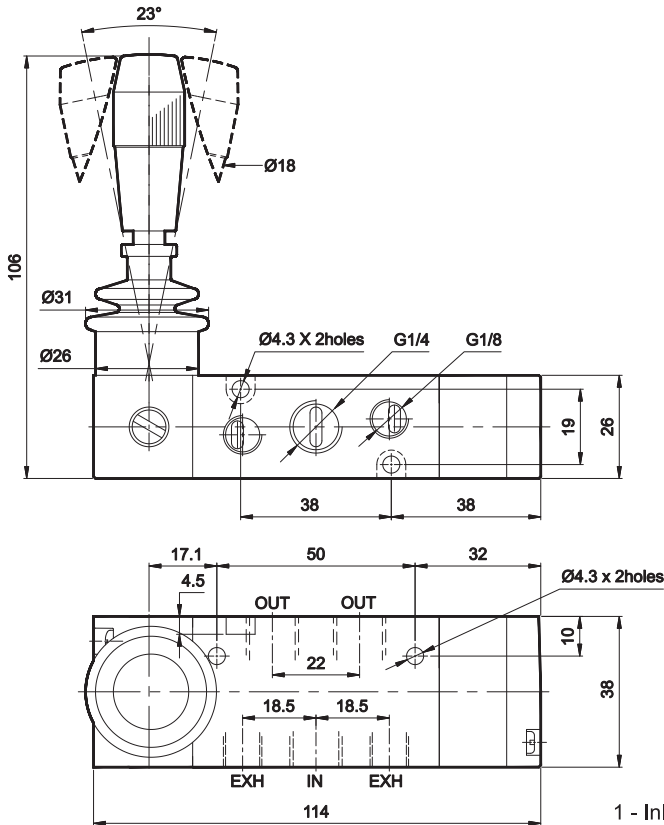
Ordering No	DS265HD61	DS275HD61	DS285HD61
Type	Blocked	Exhausted	Energised
Symbol			

COMPACT VALVE - 1/4

Series DS2

Cat No DS2 - 01 - 10 - B

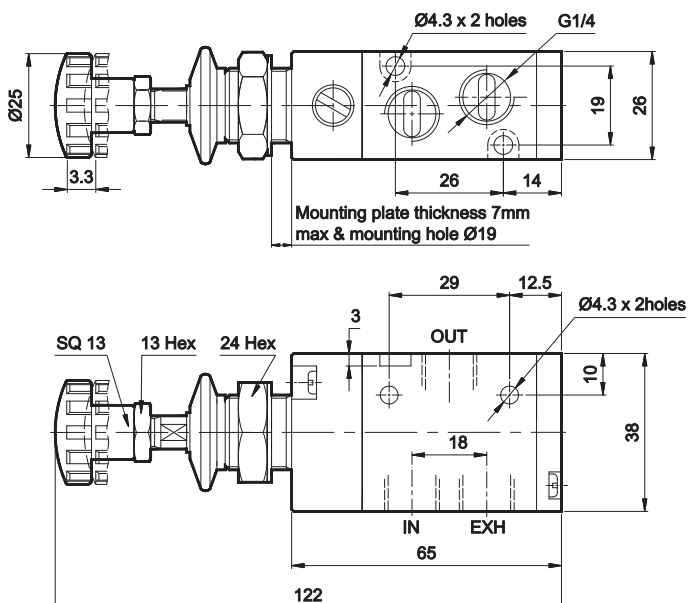
5 / 3 Hand lever operated valve with spring centered



1 - Inlet, 2,4 - Outlet, 3,5 - Exhaust

Ordering No	DS265HC61	DS275HC61	DS285HC61
Type	Blocked	Exhausted	Energised
Symbol			

3 / 2 Push Pull operated valve with spring return



1 - Inlet, 2 - Outlet, 3 - Exhaust

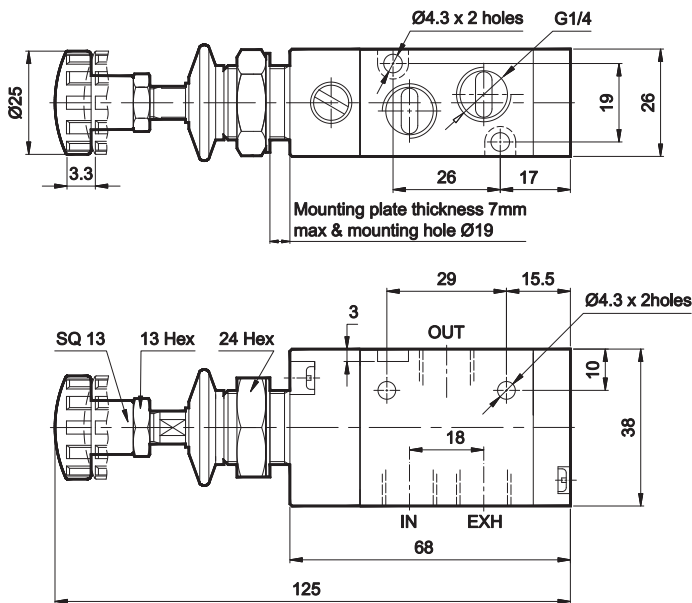
Ordering No	DS235PR61	DS245PR61
Type	Normally open	Normally closed
Symbol		

COMPACT VALVE - 1/4

Series DS2

Cat No DS2 - 01 - 10 - B

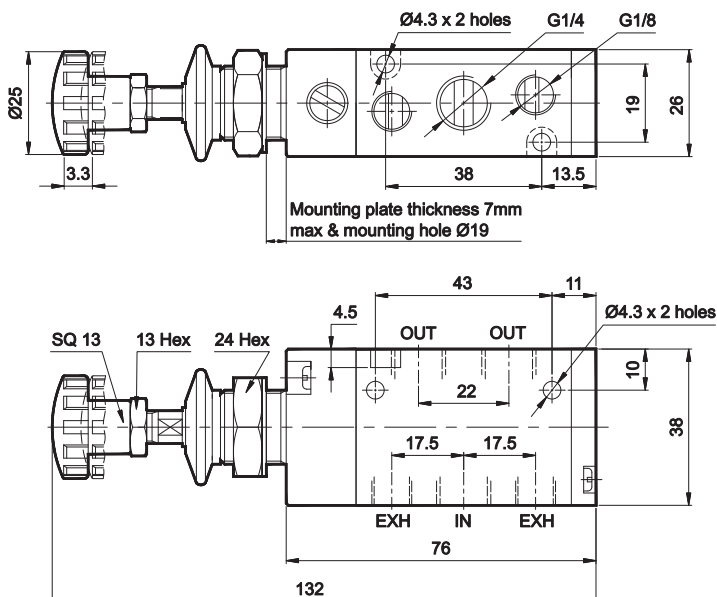
3 / 2 Push Pull operated valve with detent



1 - Inlet, 2 - Outlet, 3 - Exhaust

Ordering No	DS235PD61	DS245PD61
Type	Normally open	Normally closed
Symbol		

5 / 2 Push Pull operated valve with spring return



1 - Inlet, 2, 4 - Outlet, 3, 5 - Exhaust

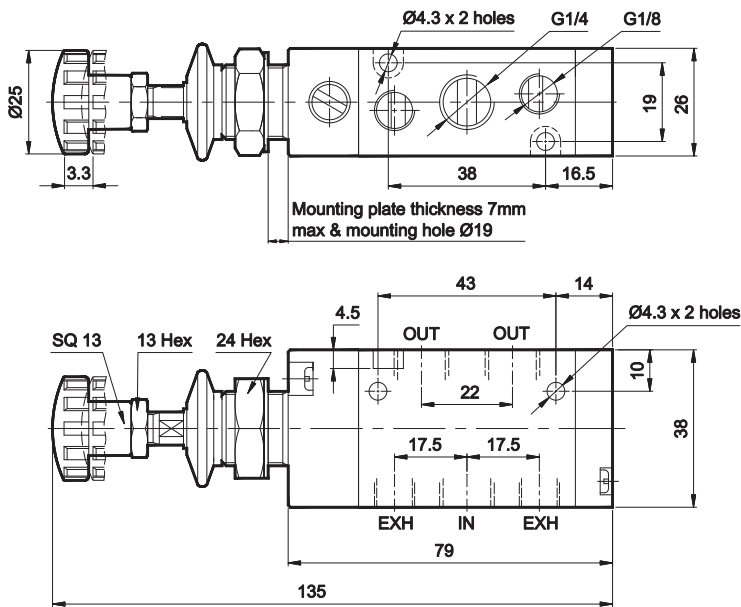
Ordering No	DS255PR61
Symbol	

COMPACT VALVE - 1/4

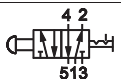
Series DS2

Cat No DS2 - 01 - 10 - B

5 / 2 Push Pull operated valve with detent



1 - Inlet, 2,4 - Outlet, 3,5 - Exhaust

Ordering No	DS255PD61
Symbol	

How to order

While ordering valve, mention the ordering number given in the corresponding tables.